

TRACK LIGHT

ETL DC45-9W LED Track light, Die cast aluminum head, Adjustable



- Cree® XLamp® XR-E 3Wx3 LED 3000K/6000K
- 25/40/60 degrees Lens
- Input DC12V/600mA
- Parallel wiring
- Two or Three-Wired system
- Nonpolarity
- White & Black painting finishing
- Die cast aluminum



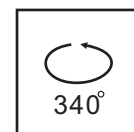
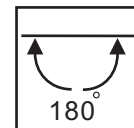
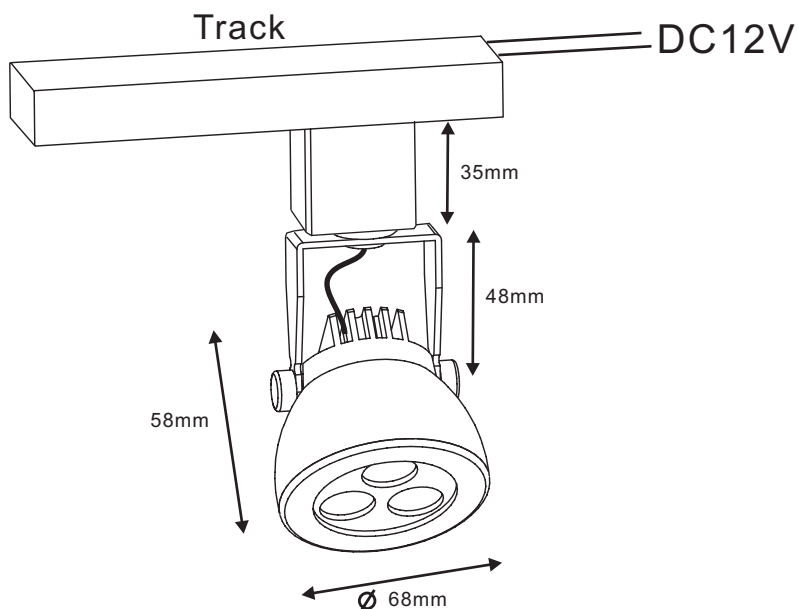
Lightolier



Halo



Juno



5F-2, NO. 495, SEC. 6, MIN CHUAN E. RD., NEI HU 11483 TAIPEI, TAIWAN
TEL: 886-2-2634-8528, 2634-0853 FAX: 886-2-2634-2239 E-mail: euphory@ms76.hinet.net

www.euphoria.com.tw