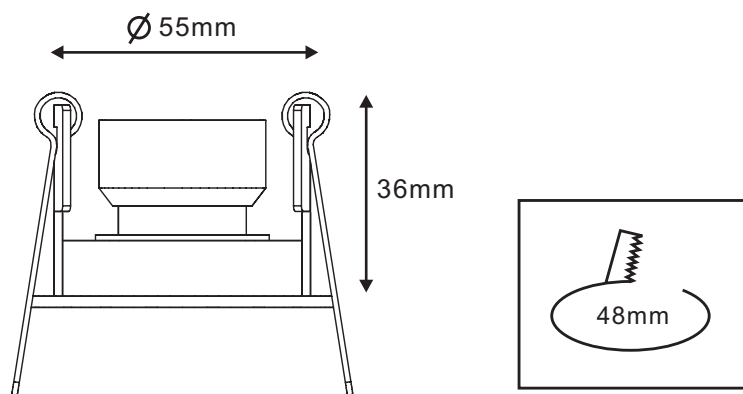


ESL S35-C3W LED spotlight adjustable



- Cree® XLamp® XR-E 3W LED 3000K/6000K
- 25/40 degrees Lens
- Series wiring
- Constant current Max.700mA
- Plated nickel satin
- Die cast aluminum



5F-2, NO. 495, SEC. 6, MIN CHUAN E. RD., NEI HU 11483 TAIPEI, TAIWAN
TEL: 886-2-2634-8528, 2634-0853 FAX: 886-2-2634-2239 E-mail: euphory@ms76.hinet.net

www.euphoria.com.tw