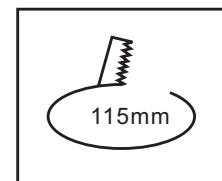
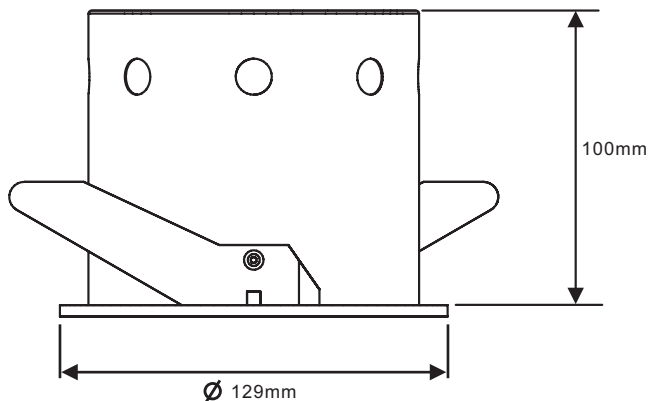


DOWN LIGHT

EDL 102-3Wx6 LED Recessed down lights, Fixed



- Cree® XLamp® XR-E 3Wx6 LED 3000K/6000K
- 25/40/60 degrees Lens
- Constant current Max.700mA or 24VDC
- White painting finishing
- Die cast aluminum & metal cover



5F-2, NO. 495, SEC. 6, MIN CHUAN E. RD., NEI HU 11483 TAIPEI, TAIWAN
TEL: 886-2-2634-8528, 2634-0853 FAX: 886-2-2634-2239 E-mail: euphory@ms76.hinet.net

www.euphoria.com.tw